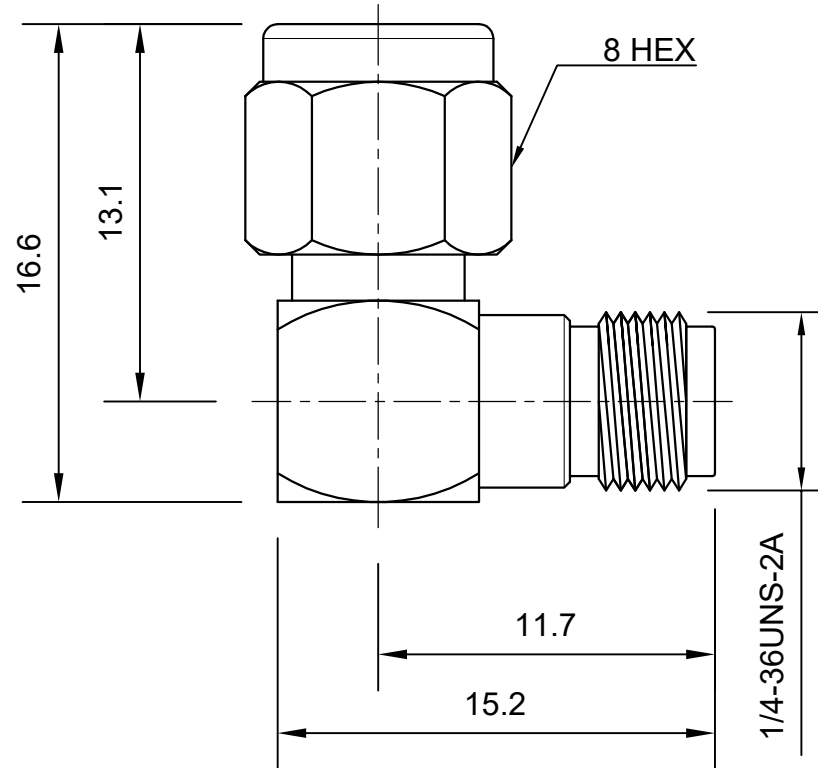


RevNo	Revision note	Date	Signature	Checked



### TECHNICAL DATA

Type	Adapter
Orientation	Right Angle
Impedance (Ohms)	50
Adapter Side 1	SMA
Side 1 Gender	Plug
Adapter Side 2	SMA
Side 2 Gender	Jack
Body Finish	Gold
Body Material	Brass
Contact Finish	Gold
Contact Material	Beryllium Copper
Insulator Material	PTFE
Max. Frequency (GHz)	18
Mounting Feature	--
Min. Temp. (Celsius)	-65
Max. Temp. (Celsius)	165
Weight (Grams)	6.0

		SHEET	1 of 1	SCALE	NTS
		<b>RF ADAPTER</b>			
DRAWN	VINAY	22.10.2018	<b>SMA Male to SMA Female</b> RIGHT ANGLE TYPE DWG NO <b>VSW-AD-271231-R</b>		
CHECK					
APPR.	VINAY	22.10.2018			
ISSUED					
REV	R0				

FILE PATH: D:\VINSUR\DRAWINGS -- VINSUR\ADAPTERS\SMA - SMA

SIZE

FILE NAME: ADAPTER - SMA Male to SMA Female Right Angle - VSW-AD-271231-R.dwg

1 2 3 4 5 6 7 8